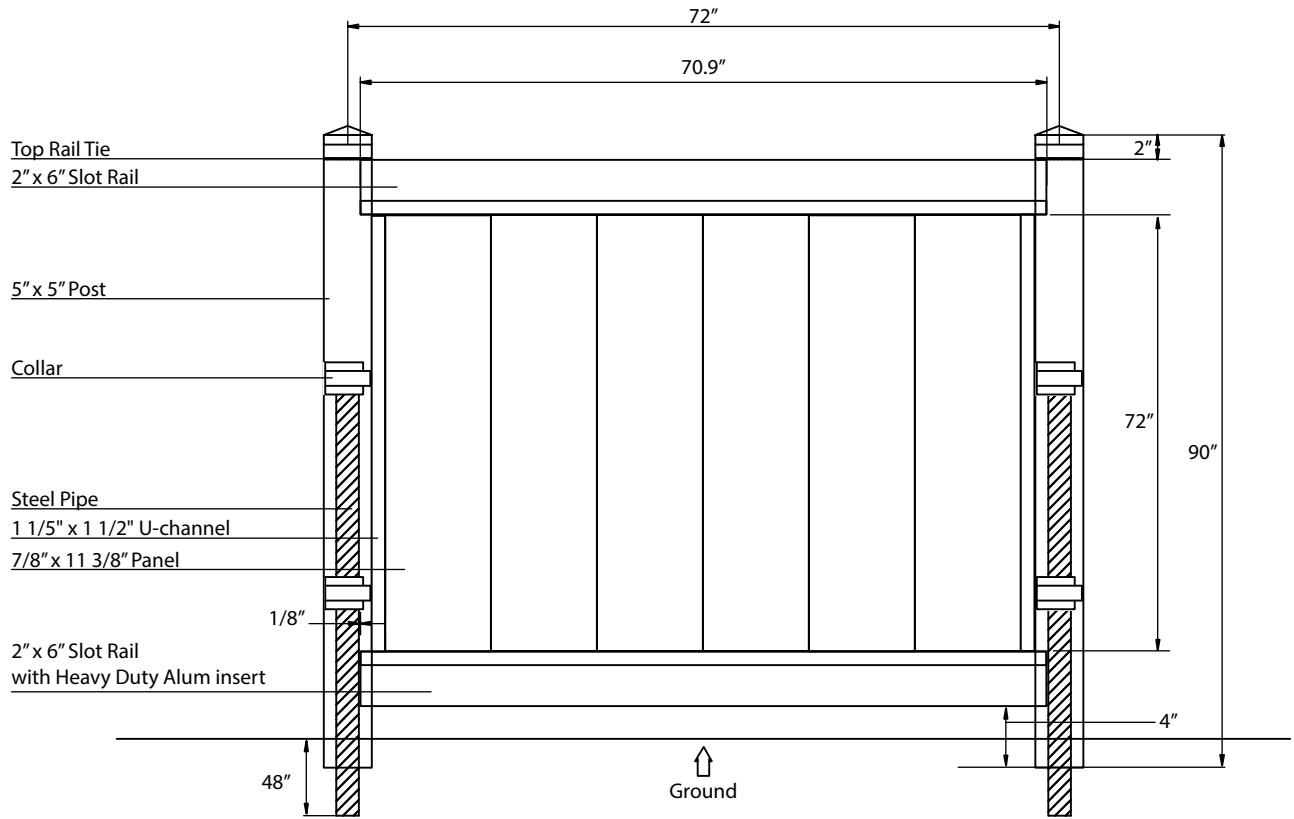
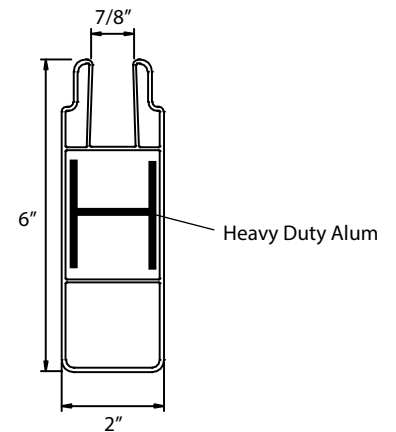


\* WHITE



Material per section			
Item	Dimension	Thickness	Qty
Post	5" x 5" x 90"	0.150"	1
Rail	2" x 6" x 70.9"	0.080"	2
	2" x 6" x 70.9"	0.080"	1
U-Channel	1 3/8" x 72"	0.080"	4
Panel	7/8" x 11 3/8" x 74 3/4"	0.051"	12
Steel Pipe	2 3/8" x 120"		1
Top Rail Tie	5" x 5"		1
Collar	5" x 5"		2
Alum	70.9"		1
Post Cap	Flat Cap		1



Side view of HD Alum insert